

ATARI[®] Anthology[™]



ATARI

WARNING: READ BEFORE USING YOUR PLAYSTATION®2 COMPUTER ENTERTAINMENT SYSTEM.

A very small percentage of individuals may experience epileptic seizures when exposed to certain light patterns or flashing lights. Exposure to certain patterns or backgrounds on a television screen or while playing video games, including games played on the PlayStation 2 console, may induce an epileptic seizure in these individuals. Certain conditions may induce previously undetected epileptic symptoms even in persons who have no history of prior seizures or epilepsy. If you, or anyone in your family, has an epileptic condition, consult your physician prior to playing. If you experience any of the following symptoms while playing a video game — dizziness, altered vision, eye or muscle twitches, loss of awareness, disorientation, any involuntary movement, or convulsions — IMMEDIATELY discontinue use and consult your physician before resuming play.

WARNING TO OWNERS OF PROJECTION TELEVISIONS:

Do not connect your PlayStation 2 console to a projection TV without first consulting the user manual for your projection TV, unless it is of the LCD type. Otherwise, it may permanently damage your TV screen.

USE OF UNAUTHORIZED PRODUCT:

The use of software or peripherals not authorized by Sony Computer Entertainment America may damage your console and/or invalidate your warranty. Only official or licensed peripherals should be used in the controller ports or memory card slots.

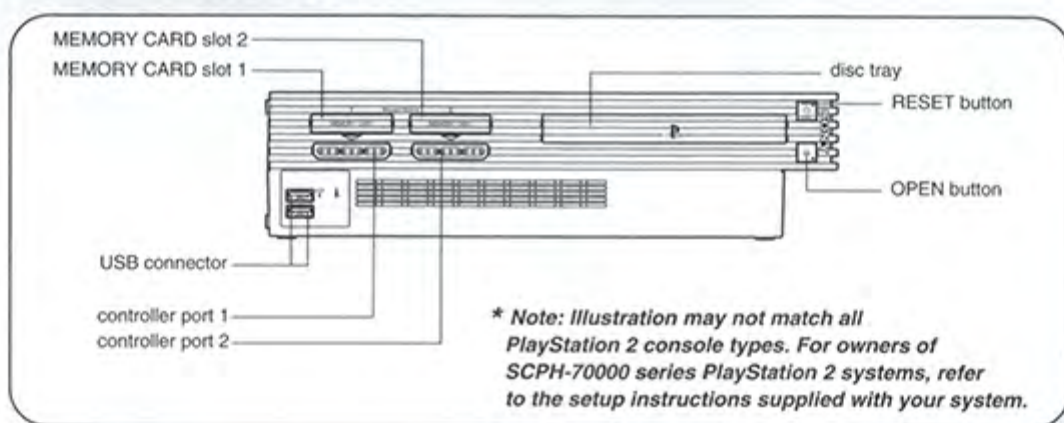
HANDLING YOUR PLAYSTATION 2 FORMAT DISC:

- This disc is intended for use only with PlayStation 2 consoles with the NTSC U/C designation.
- Do not bend it, crush it or submerge it in liquids.
- Do not leave it in direct sunlight or near a radiator or other source of heat.
- Be sure to take an occasional rest break during extended play.
- Keep this compact disc clean. Always hold the disc by the edges and keep it in its protective case when not in use. Clean the disc with a lint-free, soft, dry cloth, wiping in straight lines from center to outer edge. Never use solvents or abrasive cleaners.

TABLE OF CONTENTS

Getting Started	2
Starting Up	3
Control Schemes	4
Additional Controls	9
Welcome to <i>Atari® Anthology™</i>	10
Galaxy Screen	10
Constellation Screen	10
Solar System Screen	11
Game Options Menu	12
Bonus Material	13
Credits	15
Atari Web Sites	17
Technical Support	17
End-User License Agreement	19

GETTING STARTED

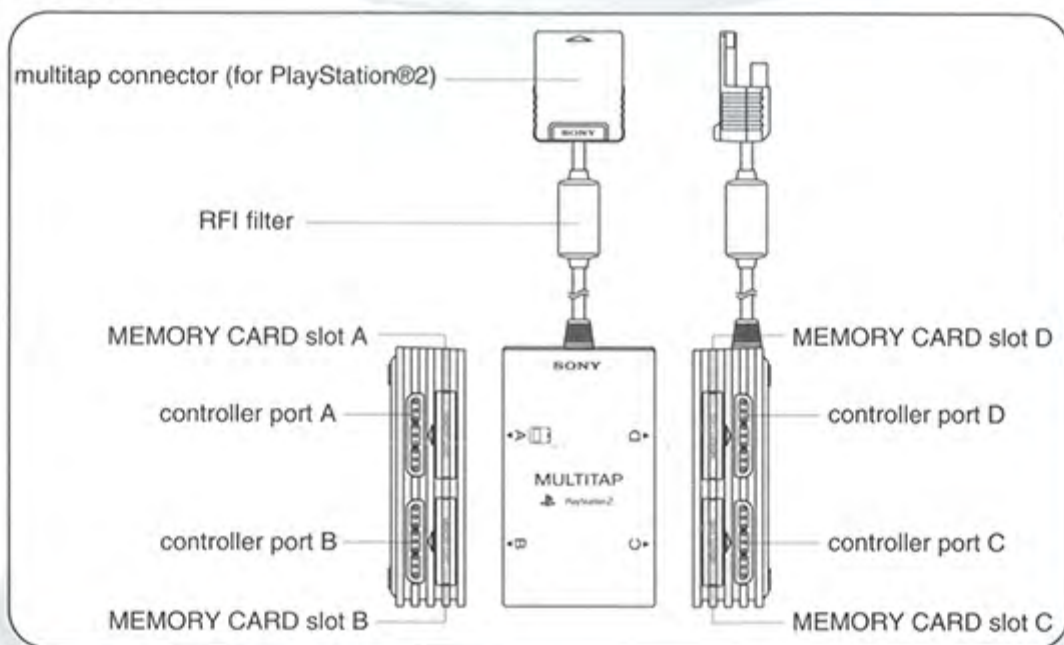


Set up your PlayStation®2 computer entertainment system according to the instructions in its Instruction Manual. Make sure the MAIN POWER switch (located on the back of the console) is turned ON. Press the RESET button. When the power indicator lights up, press the OPEN button and the disc tray will open. Place the *Atari® Anthology™* disc on the disc tray with the label side facing up. Press the OPEN button again and the disc tray will close. Attach game controllers and other peripherals, as appropriate. Follow on-screen instructions and refer to this manual for information on using the software.

Memory Card (8MB) (for PlayStation®2)

To save game settings and progress, insert a memory card (8MB) (for PlayStation®2) into MEMORY CARD slot 1 of your PlayStation®2 system. You can load saved game data from the same memory card or any memory card (8MB) (for PlayStation®2) containing previously saved games.

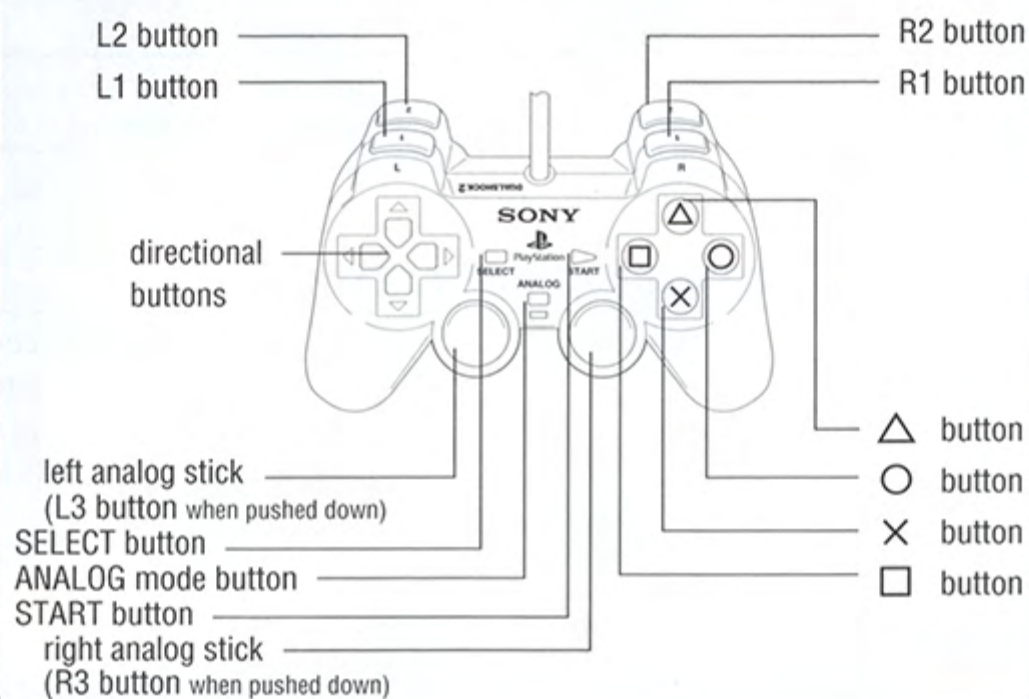
MULTITAP



If three or more people are competing in *Atari® Anthology™*, you must have a multitap (for PlayStation®2) connected to the PlayStation®2 game console. Refer to the instructions that came with your multitap for information on how to connect it to the PlayStation®2 game console. **Note:** When using a multitap, insert a memory card (8MB) (for PlayStation®2) into MEMORY CARD slot 1-A of your PlayStation®2 system to save game settings and progress.

STARTING UP

DUALSHOCK®2 ANALOG CONTROLLER CONFIGURATIONS



Starting a Game

To start a one-player game, press the **START button** on the DUALSHOCK®2 analog controller connected to controller port 1. To start a two-player game (when applicable), press the **START button** on the DUALSHOCK®2 analog controller connected to controller port 2.

CONTROL SCHEMES

All of the games use one of the following control schemes. Some schemes are unique and some are shared by several games.

Joystick	ACTION	CONTROL
	Move	left analog stick or directional buttons
	Fire	X button

Paddle Controller	ACTION	CONTROL
	Move left	Press left on left analog stick or press left directional button
	Move right	Press right on left analog stick or press right directional button
	Serve / Fire / Catch / Jump	X button

Paddle Controller - Relative Mode

In Relative mode (default), moving the **left analog stick** moves the paddle position left and right.

Paddle Controller - Absolute Mode

In Absolute mode, the paddle position is set according to where the **left analog stick** is positioned, from left to right.

Paddle Controller - Circular Mode

In Circular mode, the paddle position is set around the center calibration of the **left analog stick**.

Trak-Ball	ACTION	CONTROL
	Fire / Jump	X button
	Move	left analog stick or directional buttons

Spinner	ACTION	CONTROL
	Move left	Press left on left analog stick or press left directional button
	Move right	Press right on left analog stick or press right directional button
	Fire	X button
	Shields / Super Zapper	O button

Asteroids®-Style

ACTION	CONTROL
Rotate left	Press left on left analog stick or press left directional button
Rotate right	Press right on left analog stick or press right directional button
Thrust	Press up on right analog stick or up directional button
Fire	X button
Hyperspace / Shields / Tractor	O button

Battlezone®

ACTION	COMMAND
Fire	R1 button
Left tread forward	Press up on left analog stick or press up directional button
Left tread reverse	Press down on left analog stick or press down directional button
Right tread forward	Press up on right analog stick or press △ button
Right tread reverse	Press down on right analog stick or press X button

Atari Black Widow™

ACTION	COMMAND
Move	left analog stick or directional buttons
Fire up	△ button or press up on right analog stick
Fire down	X button or press down on right analog stick
Fire left	□ button or press left on right analog stick
Fire right	O button or press right on right analog stick

Lunar Lander™

ACTION	COMMAND
Rotate left	Press left on left analog stick or press left directional button
Rotate right	Press right on left analog stick or press right directional button
More thrust	Press up on right analog stick or press up directional button
Less thrust	Press down on right analog stick or press down directional button

Lunar Lander™ (cont.)	ACTION	COMMAND
	Abort	× button
	Change difficulty (physics mode)	○ button

Missile Command®	ACTION	COMMAND
	Aim reticle	left analog stick or directional buttons
	Alpha Fire	□ button
	Delta Fire	× button
	Omega Fire	○ button

Radar Lock™	ACTION	COMMAND
	Move	left analog stick or directional buttons
	Fire	× button
	Thrust	R1 button
	Switch to Machine Guns (1-player only)	△ button
	Switch to Guided Missiles (1-player only)	□ button
	Switch to Proximity Missiles (1-player only)	○ button

Star Raiders®	ACTION	COMMAND
	Move	left analog stick or directional buttons
	Fire	× button
	Fore view	R1 button
	Galactic Map	△ button
	Hyperwarp	L1 button
	Computer On / Off	□ button
	Shields On / Off	○ button

The Games

GAME	GALAXY	CONTROL SCHEME
Atari 3D Tic Tac Toe	Mind	Joystick
Atari Adventure™	Adventure	Joystick
Atari Air-Sea Battle™	Action	Joystick
Asteroids® – arcade version	Arcade Originals	Asteroids®-style
Asteroids® – home version	Arcade at Home	Joystick
Asteroids® Deluxe	Arcade Originals	Asteroids®-style
Atari Video Cube™	Mind	Joystick
Backgammon	Mind	Paddle
Battlezone® – arcade version	Arcade Originals	Battlezone®
Battlezone® – home version	Arcade at Home	Joystick
Atari Black Widow™	Arcade Originals	Atari Black Widow™
Blackjack	Casino	Paddle Controller
Bowling	Sports	Joystick
Breakout®	Arcade at Home	Paddle Controller
Canyon Bomber™	Action	Paddle Controller
Casino	Casino	Paddle Controller
Centipede® – arcade version	Arcade Originals	Trak-Ball
Centipede® – home version	Arcade at Home	Joystick
Circus Atari™	Action	Paddle Controller
Atari Combat™	Action	Joystick
Crystal Castles® – arcade version	Arcade Originals	Trak-Ball
Crystal Castles® – home version	Arcade at Home	Joystick
Demons to Diamonds®	Action	Paddle Controller
Desert Falcon™	Action	Joystick
Atari Dodge 'Em™	Action	Joystick
Double Dunk™	Sports	Joystick
Atari Flag Capture™	Action	Joystick
Football	Sports	Joystick
Fun With Numbers	Mind	Joystick
Golf	Sports	Joystick
Gravitar® – arcade version	Arcade Originals	Asteroids®-style
Gravitar® – home version	Arcade at Home	Joystick
Hangman	Mind	Joystick
Haunted House™	Adventure	Joystick
Atari Home Run™	Sports	Joystick
Human Cannonball™	Action	Joystick
Liberator™	Arcade Originals	Trak-Ball
Lunar Lander™	Arcade Originals	Lunar Lander™
Atari Math Gran Prix™	Mind	Joystick
Atari Maze Craze™	Mind	Joystick
Major Havoc™	Arcade Originals	Spinner
Millipede® – arcade version	Arcade Originals	Trak-Ball
Millipede® – home version	Arcade at Home	Joystick
Miniature Golf	Sports	Joystick

GAME	GALAXY	CONTROL SCHEME
Missile Command® – arcade version	Arcade Originals	Missile Command®
Missile Command® – home version	Arcade at Home	Joystick
Atari Night Driver™	Racing	Paddle Controller
Off the Wall™	Action	Joystick
Atari Outlaw™	Action	Joystick
Pong®	Arcade Originals	Paddle Controller
Quadrun™	Space	Joystick
Radar Lock™	Action	Radar Lock™
Realsports® Baseball	Sports	Joystick
Realsports® Football	Sports	Joystick
Realsports® Tennis	Sports	Joystick
Realsports® Volleyball	Sports	Joystick
Atari Red Baron™	Arcade Originals	Joystick
Sky Diver™	Action	Joystick
Slot Machine	Casino	Joystick
Atari Slot Racers™	Racing	Joystick
Atari Space Duel™	Arcade Originals	Asteroids®-style
Atari Space War™	Space	Joystick
Sprint Master™	Racing	Joystick
Star Raiders®	Space	Star Raiders®
Atari Star Ship™	Space	Joystick
Steeplechase™	Racing	Paddle Controller
Stellar Track™	Space	Joystick
Atari Street Racer™	Racing	Paddle Controller
Atari Submarine Commander™	Action	Joystick
Atari Super Baseball™	Sports	Joystick
Super Breakout® – arcade version	Arcade Originals	Paddle Controller
Super Breakout® – home version	Arcade at Home	Paddle Controller
Atari Super Football™	Sports	Joystick
Atari Surround™	Mind	Joystick
Swordquest: Earthworld™	Adventure	Joystick
Swordquest: Fireworld™	Adventure	Joystick
Swordquest: Waterworld™	Adventure	Joystick
Tempest™	Arcade Originals	Spinner
Video Checkers	Mind	Joystick
Video Chess	Mind	Joystick
Video Olympics	Sports	Paddle Controller
Video Pinball	Arcade at Home	Joystick
Warlords® – arcade version	Arcade Originals	Paddle Controller
Warlords® – home version	Arcade at Home	Paddle Controller
Yars' Revenge®	Space	Joystick

ADDITIONAL CONTROLS

For Atari® 2600™ games, you have access to the Atari® 2600™ console switches, which reset games, select game modes, set difficulty and more.

CONSOLE SWITCH	CONTROL
Game Reset	× button
Game Select	○ button
Player-1 Difficulty	L1 button
Player-2 Difficulty	R1 button
TV Color / Black & White	R2 button
Help (displays original manual pages)	□ button
Exit Game	△ button
Display / Hide Options Pop-up	SELECT button

For Arcade games, you have access to up to four player start buttons (depending on how many player start buttons the game supports).

BUTTON	CONTROL
Player-1 Start	× button
Player-2 Start	○ button
Player-3 Start	L1 button
Player-4 Start	R1 button
Exit Game	△ button
Display / Hide Options Pop-up	SELECT button

WELCOME TO ATARI® ANTHOLOGY™

The largest collection of Atari's classic video games ever assembled on the PlayStation®2 game console!

Classic hits include Asteroids®, Battlezone®, Bowling, Breakout®, Canyon Bomber™, Casino, Centipede®, Atari Combat™, Crystal Castles®, Demons to Diamonds®, Atari Flag Capture™, Golf, Gravitar®, Atari Maze Craze™, Millipede®, Miniature Golf, Missile Command®, Atari Night Driver™, Atari Outlaw™, Realsports® Football, Atari Slot Racers™, Star Raiders®, Atari Super Baseball™, Super Breakout®, Video Olympics, Atari Warlords®, Yars' Revenge®, plus many more legendary games!

GALAXY SCREEN

At the title screen, press the **START** button to open the Galaxy Screen, which contains the following constellations (game categories):

- Action
- Adventure
- Arcade at Home
- Arcade Originals
- Mind Games
- Casino
- Racing
- Space
- Sports



Use the **directional buttons** to highlight a constellation and press the **X** button to make a selection.

CONSTELLATION SCREEN

Once you have reached a constellation, use the **directional buttons** to highlight a solar system (game) and press the **X** button to make a selection.



SOLAR SYSTEM SCREEN

You can play the selected game in original mode, or play one of five crazy game variations if you have unlocked them.

To play the original version of a game, use the **directional buttons** to select the sun and press the **X button**.

To play an unlocked game version, use the **directional buttons** to select one of the planets surrounding the sun and press the **X button**.

The following game modes are available for most games, once you unlock them:

Time Challenge

Select this mode to play a game where you have to score the most points before time runs out.

Trippy Mode

Select this mode to enable a mind-warping game experience.

Time Warp

This challenge mode varies the game speed between fast and slow as you play!

Hot Seat

In the Hot Seat Mode, you are presented with up to three additional games to play in combination with the game you have already selected. As the games switch in sequence at regular intervals, test your dexterity and endurance as the pressure mounts!

Double Speed

As it says: double the speed, double the fun!

At the Solar System Screen, press the **O button** to access game options (see next page).



GAME OPTIONS MENU

You can control the way your game behaves by using the Game Options Menu. There are two tabs: GAMEPLAY and CONTROLS.

Use the **up** and **down directional buttons** to highlight options, and use the **left** and **right directional buttons** to change them.

Press the **X button** to accept your changes and go back to the previous screen. Press the **△ button** to cancel your changes. Press the **□ button** to restore the original settings.



Gameplay Tab

For Atari® 2600™ games, you can set Player-1 difficulty, Player-2 difficulty and TV Color Mode for each game.

For Arcade games, you can change a variety of options, the availability of which changes per game. The options include turning the cabinet art On or Off, adjusting the number of lives you start a game with, setting the amount of points required to win an extra life, etc. In some games, there are many more options, so feel free to experiment.

Controls Tab

Each game uses an existing control scheme. You can reconfigure the control schemes to your liking, including choosing which buttons you would like to use to fire weapons, use shields, etc.

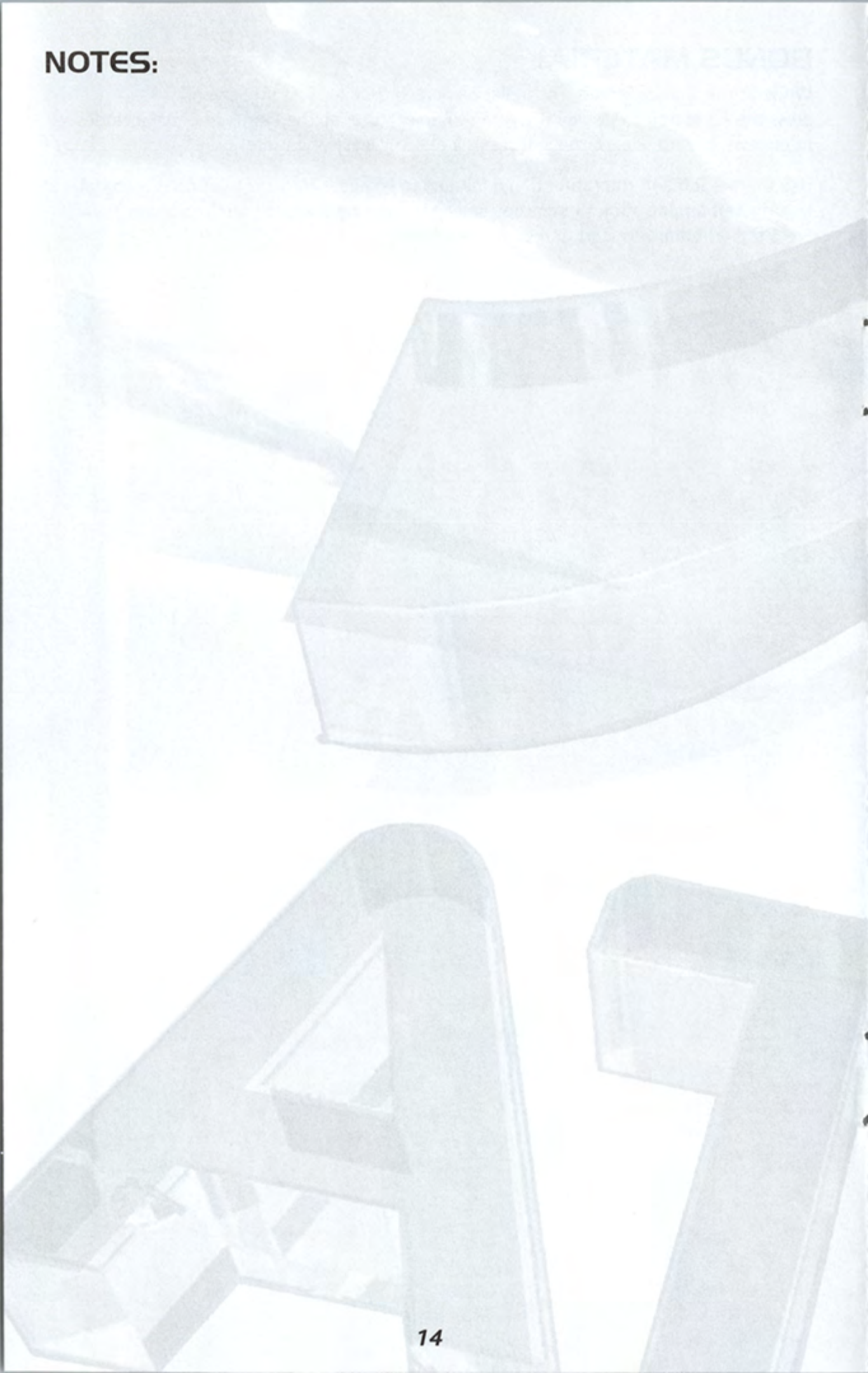
To configure a particular button, use the **up** and **down directional buttons** to highlight that button, press the **left** and **right directional buttons** and then press the new button you wish to use. To cancel without making a change to a particular button, press the **left** and **right directional buttons** again. **Note:** Some buttons have a fixed purpose in-game and their configuration cannot be changed. If you change a control scheme, that scheme changes for all the games that share it!

BONUS MATERIAL

While at the Galaxy Screen, Constellation Screen or Solar System Screen, press the **□ button** to display the game's Bonus Material. The Bonus Material includes interviews, box art, classic manual scans, a photo gallery and more!

Use the the **left** and **right directional buttons** to navigate through the Bonus Material. Use the **left analog stick** to pan the camera and the **right analog stick** to zoom. Press the **X button** to start and stop video footage.

NOTES:



CREDITS

Digital Eclipse

Jeff Vavasour
Emulation Programming

George Phillips
Library Programming

Jeff Hanson
Chuck Chow
Clinton Blackmore
Console Programming

Sebastian Hyde
Ryan Slemko
Cabinet Art

Joe Bonar
Producer

Trent Ward
Designer

Boyd Burggrabe
Art Director

John Kowlaski
Tom Johnson
Sound

Albert Yarusso
Alex Bilstein
John Hardie
Mike Mika
Sean Kelly
Archivists

Jean Baudin
Bill Esquivel
Leonard Herman
Roy Kaplan
Zach Matley
Brian Penzone
Roman Scharnberg
Gerard Maathuis

Additional Archive Contributors

Chris Charla
Interviewer

Art Adams
Videographer

Image Impressions
Video Post-Production

Duncan Brown
Tempest™ Tubes

Andrew Ayre
President

Special Thanks

Nolan Bushnell
Jerry Jessop
Keith Feinstein
Paige O'Donoghue
Lana Thomas

Irmava, Zacova, Kyalva
Michael Mika
Dan Wilson

Blue Shift, Inc.

Aaron Brady
John Brooks
Matt Gilbert
Alex Pepper
Doug Snyder
Tom Yedwab
Interface Programming

Dan Lazkowski
James Lingo
Chad Newhouse
Raphael Reyes
Interface Art

Ryan Peterson
Neil Sorens
Interface Production

Brian Coburn
Interface Sound

Atari

Alex Ahlund
Producer

Bob Welch
Executive Producer

Tara R. Greco
Senior Brand Manager

Paul Hellier
Director of Technology

Tom Nichols
Director of Marketing

Steve Martin
Director of Creative Services

Liz Mackney
*Director of Editorial &
Documentation Services*

Charlie Rizzo
Art Director

Morgan Tomaiolo
Graphic Designer

Ross Edmond
Randi Kravitz
Documentation Specialists

Paul Collin
Copywriter

Michael Gilmartin
Director of Publishing Support

Ezequiel "Chuck" Nunez
Bill Carroll
Q.A. Managers

Ken Ford
I.T. Manager/Western Region

Michael Vetsch
Manager of Technical Support

John Seefurth
Lead Tester

Neil DiGiacomo
Assistant Lead Tester

Jaime Gonzalez
Max Fitzmaurice

Adrian Escultura

Ryan Hisatomi

Tobias Bloyd

Randy Nguyen

Max Braun

Marshal Clevesy

Joe Edwards

Aaron Ichiyasu

Erick Lenfers

Steven Kakaio

Justin Rybis

Juan Sanchez

Drew Stevens

Adrian Toler

Jesse Woodward

Michael Yim

Alvaro Melara

Howell Selburn

Anthony Nguyen

Anthony Ma

Henry Yei

Anwar Malimban

Elree Carpio

Quang Nguyen

Sam Monsour

Mike Greenler

Mark Alibanyan

Joseph Aragonas

Testers

Dave Strang

*Manager, Engineering Services
and Compatibility Lab*

Ken Edwards

Engineering Services Specialist

Dan Burkhead

Eugene Lai

Engineering Services Technicians

Joy Schmeer

Director, Strategic Relations

Cecelia Hernandez

Sr. Manager, Strategic Relations

Arthur Long

Strategic Relations Specialist

Jon Nelson

Director, Global Web Services

Scott Lynch

Producer, Online

Gerald "Monkey" Burns
Senior Programmer, Online

Richard Leighton
Senior Web Designer, Online

Sarah Pike
Online Marketing Manager

Todd Curtis
Vice President, Operations

Eddie Pritchard
Director of Manufacturing

Lisa Leon
Lead Senior Buyer

Gardnor Wong
Senior Buyer

Tara Moretti
Buyer

Janet Sieler
Materials Planner

Nichole Mackey
Process Planner

Special Thanks

Michael MacConnell

Constantine Hantzopoulos

James Daly

Dan DeOreo

Jon Chmura

Stacy Hendrickson

Ken Allen

David Nathanielsz

Rocco Scandizzo

Jennifer Baum

Humongous Entertainment

Henrik Steen

Director of Technology

David Anderson

Senior Console Programmer

Sam Baker

Senior Programmer

ATARI WEB SITES

To get the most out of your new game, visit us at:

atari.com/us

If you would like to chat with other gamers, as well as developers, visit our Community Forum area at:

ataricomunity.com

Kids, check with your parent or guardian before visiting any web site.

Chat Messages: Atari does not monitor, control, endorse, or accept responsibility for the content of chat messages. You are strongly encouraged not to give out identity or other personal information through chat message transmissions. Kids, check with your parent or guardian if you are concerned about any chat you receive.

Use of Atari web sites is subject to terms and conditions, which you can access at:

atari.com/us/tos

TECHNICAL SUPPORT (U.S. & CANADA)

Help Via the Internet

Up-to-the-minute technical information about Atari products is generally available 24 hours a day, 7 days a week via the Internet at:

atarisupport.com

Through this site you'll have access to our **FAQ** (Frequently Asked Questions) documents, our Hints/Cheat Codes if they're available, and an **Email** area where you can get help and ask questions if you do not find your answers within the **FAQ**.

Note: In the event we must send you a Hint Sheet, FAQ document, patch or update disc via Email, we may require verifiable consent from a parent or guardian in order to protect children's privacy and safety online. Consent Forms are available at the web site listed above.

Help Via Telephone in the United States & Canada

For phone assistance, call **Atari Technical Support** at **(425) 951-7108**. Our **Interactive Voice Response** system is generally available 24/7, providing automated support solutions immediately.

This console-based product has automated support, which includes information such as gameplay tips, information on Control Keys, possible Cheat Code combination keys, and instructions for finding secret screens and/or additional game levels (if these type of items exist and are made available for this particular product).

Great News! We've improved our Automated Systems so that you can get product-specific Troubleshooting help more quickly. All you need to do is enter the product's **Part #** when prompted to do so. This will take you directly to all of our known issues and solutions for this title. The product's **Part #** is located in several places (on the CD label, Game Pak, package and/or plastic disc case, if applicable) and is usually identified by a number such as **04-12345**. When prompted by the Automated System, enter the **last five digits** of your product's Part #. (For example, Part # 04-12345 would require that you

enter the "12345" portion of the number for that product.) **Note:** Some products simply feature a five-digit Part # without an "04-" prefix.

Live support is generally available Monday through Friday, 8:00 AM until 6:00 PM (Pacific Time). **Note:** We may be closed on major holidays.

Product Return Procedures in the United States & Canada

In the event our technicians at **(425) 951-7108** determine that you need to forward materials directly to us, please include a brief letter explaining what is enclosed and why. Make sure you include the Return Merchandise Authorization Number (RMA#) supplied to you by the technician, and your telephone number in case we need to call you. You will receive the mailing address when the technician gives you the RMA#. Any materials not containing this RMA# will be returned to you unprocessed.

Warranty Policy in the United States & Canada

If our technicians determine that the product storage medium is found to be defective within ninety (90) days of original purchase, (unless otherwise provided by applicable law), Atari will replace the item free of charge, to the original purchaser, if the item is accompanied by the original dated receipt and packaging.

END-USER LICENSE AGREEMENT

IMPORTANT — READ CAREFULLY: Please be sure to carefully read and understand all of the rights and restrictions described in this End-User License Agreement ("EULA").

AGREEMENT

This document is an agreement between you and Atari, Inc. and its affiliated companies ("Company"). The enclosed software game disc(s), cartridge or Game Pak ("Software") and any accompanying printed materials are licensed to you only on the condition that you accept all of the terms contained in this EULA.

By opening this package and installing or otherwise using the Software you agree to be bound by the terms of this EULA. If you do not agree to the terms of this EULA you may not install or use the Software and within 15 days of purchase you must call the Tech Support telephone number listed in the manual accompanying the Software (the "Manual"). Select the Automated Phone System's Main Menu option for Consumer Services and follow the prompts.

You will be given a Return Merchandise Authorization number (RMA #) by the technician. You then have 15 days from the date of this contact to return the Software in its protective covering, the Manual and the original sales invoice to the address supplied to you.

If this is a PC product, when you install the Software you will be asked to review and either accept or not accept the terms of the EULA by clicking the "I Accept" button. By clicking the "I Accept" button you acknowledge that you have read the EULA, understand it and agree to be bound by its terms and conditions.

COPYRIGHT

The Software is protected by copyright laws and international copyright treaties, as well as other intellectual property laws and treaties. All title and copyrights in and to the Software (including but not limited to any images, photographs, animations, video, music, text and "applets" incorporated into the Software) and any printed materials accompanying the Software are owned by the Company or its Licensors.

GRANT OF LICENSE

The Software is licensed and not sold to you and its use is subject to this EULA. The Company grants you a limited, personal, non-exclusive license to use the Software in the manner described in the user documentation. The Company reserves all rights not expressly granted to you in this EULA.

PERMITTED USES

1. If the Software is configured for loading on a hard drive, you may install and use the Software on a single computer.
2. You may make and maintain one copy of the Software for backup and archival purposes, provided that the original and copy of the Software are kept in your possession.
3. You may permanently transfer all your rights under this EULA, provided you retain no copies, you transfer all of the Software (including all component parts, the media and printed materials and any upgrades) and the recipient reads and accepts this EULA.

RESTRICTIONS

1. You may not delete or obscure any copyright, trademark or other proprietary notice on the Software or accompanying printed materials.
2. You may not decompile, modify, reverse engineer, disassemble or otherwise reproduce the Software.
3. You may not copy, rent, lease, sublicense, distribute, publicly display the Software, create derivative works based on the Software (except to the extent expressly permitted in the Editor and End-User Variation section of this Agreement or other documentation accompanying the Software) or otherwise commercially exploit the Software.
4. You may not electronically transmit the Software from one computer, console or other platform to another or over a network.
5. You may not use any backup or archival copy of the Software for any purpose other than to replace the original copy in the event it's destroyed or becomes defective.

EDITOR AND END-USER VARIATIONS

If the Software includes a feature that allows you to modify the Software or to construct new variations (an "Editor"), you may use such Editor to create modifications or enhancements to the Software, including the construction of new levels (collectively the "Variations"), subject to the following restrictions. Your Variations: (i) must only work with the full, registered copy of the Software; (ii) must not contain modifications to any executable file; (iii) must not contain any libelous, defamatory or other illegal material, material that is scandalous or invades the rights of privacy or publicity of any third party; (iv) must not contain any trademarks, copyright-protected work or other property of third parties; and (v) may not be commercially exploited by you, including but not limited to making such Variations available for sale or as part of a pay-per-play or timesharing service.

TERMINATION

This EULA is effective until terminated. You may terminate this EULA at any time by destroying the Software. This EULA will terminate automatically without notice from the Company if you fail to comply with any provisions of this EULA. All provisions of this EULA as to warranties, limitation of liability, remedies and damages will survive termination.

LIMITED WARRANTY AND DISCLAIMER OF WARRANTIES

You are aware and agree that use of the Software and the media on which is recorded is at your sole risk. The Software and media are supplied "AS IS." Unless otherwise provided by applicable law, the Company warrants to the original purchaser of this product that the Software storage medium will be free from defects in materials and workmanship under normal use for ninety (90) days from the date of purchase. The warranty is void if the defect has arisen through accident, abuse, neglect or misapplication. If the Software fails to conform to this warranty, you may at your sole and exclusive remedy, obtain a replacement free of charge if you return the defective Software. Follow the Product Return Procedures described in the Manual. The Company does not warrant that the Software or its operations or functions will meet your requirements, or that the use of the Software will be without interruption or error.

TO THE FULLEST EXTENT PERMISSIBLE UNDER APPLICABLE LAW, EXCEPT FOR THE EXPRESS WARRANTY SET FORTH ABOVE, THE COMPANY DISCLAIMS ALL WARRANTIES, EXPRESS OR IMPLIED, INCLUDING AND WITHOUT LIMITATION, THE IMPLIED WARRANTIES OF MERCHANTABILITY AND FITNESS FOR A PARTICULAR PURPOSE AND NON-INFRINGEMENT. EXCEPT FOR THE EXPRESS WARRANTY SET FORTH ABOVE, THE COMPANY DOES NOT WARRANT, GUARANTEE OR MAKE ANY REPRESENTATION REGARDING THE USE OR THE RESULTS OF THE USE OF THE SOFTWARE IN TERMS OF ITS CORRECTNESS, ACCURACY, RELIABILITY, CURRENTNESS OR OTHERWISE. SOME JURISDICTIONS DO NOT ALLOW THE EXCLUSION OF OR LIMITATIONS ON IMPLIED WARRANTIES, SO THE ABOVE EXCLUSIONS AND LIMITATIONS MAY NOT APPLY TO YOU.

LIMITATION OF LIABILITY

IN NO EVENT WILL THE COMPANY OR ITS EMPLOYEES OR LICENSORS BE LIABLE FOR ANY INCIDENTAL, INDIRECT, SPECIAL, CONSEQUENTIAL OR PUNITIVE DAMAGES, OR ANY DAMAGES WHATSOEVER (INCLUDING, WITHOUT LIMITATION, DAMAGES FOR INJURY TO PERSON OR PROPERTY, FOR LOSS OF PROFITS, BUSINESS INTERRUPTION, LOSS OF BUSINESS INFORMATION, LOSS OF PRIVACY, FAILURE TO MEET ANY DUTY AND NEGLIGENCE) ARISING OUT OF OR IN ANY WAY RELATED TO THE USE OR INABILITY TO USE THE SOFTWARE, EVEN IF THE COMPANY OR AN AUTHORIZED REPRESENTATIVE OF THE COMPANY HAS BEEN ADVISED OF THE POSSIBILITY OF SUCH DAMAGES. SOME JURISDICTIONS DO NOT ALLOW THE EXCLUSION OF LIABILITY FOR INCIDENTAL OR CONSEQUENTIAL DAMAGES, SO THE ABOVE EXCLUSION MAY NOT APPLY TO YOU.

IN NO EVENT WILL THE LIABILITY OF THE COMPANY FOR DAMAGES WITH RESPECT TO THE SOFTWARE EXCEED THE AMOUNTS ACTUALLY PAID BY YOU FOR THE SOFTWARE.

CHOICE OF LAW AND VENUE

This EULA is governed by the laws of the United States of America and the State of New York, exclusive of its conflicts of law provisions. The exclusive venue for litigation regarding or arising from this EULA is New York County, New York and you agree to submit to the Jurisdiction of the courts of New York County, New York for any such litigation.

MISCELLANEOUS

If any provision or portion of this EULA is found to be unlawful, void, or for any reason unenforceable, it will be severed from and in no way affect the validity or enforceability of the remaining provisions of the EULA.

This EULA constitutes the entire agreement between you and the Company regarding the Software and its use.

© 2004 Atari Interactive, Inc. All Rights Reserved. All trademarks are the property of their respective owners.

Developed by Digital Eclipse, a division of Backbone Entertainment.
Digital Arcade™ Emulation Technology ©1993-2004 Backbone Entertainment. All Rights Reserved. Used under license. Digital Eclipse, Digital Arcade and the Digital Eclipse logo are trademarks of Backbone Entertainment.

RenderWare is a registered trademark of Canon Inc. Portions of this software are Copyright 1998-2004 Criterion Software Ltd. and its Licensors.

Register Online Today!

It's as simple as 1, 2, 3!

1. Go to www.gameregister.com
2. Enter your game's info
3. Select a great offer

Receive game-related info and other special offers by registering online today! That's it.

Atari will not contact you without your express permission. For more information about our privacy policy, go to www.atari.com/us/privacy_policy.asp

atari.com/atarianthology

© 2004 Atari Interactive, Inc. All Rights Reserved. All trademarks are the property of their respective owners.

Atari, Inc., 417 Fifth Avenue, New York, NY 10016 USA

PRINTED IN THE USA.

Part # 26081M

ATARI